



Winsurge
IMPEX (INDIA) PVT. LTD.

CONNECTING TO THE FUTURE OF WIRE TERMINATION



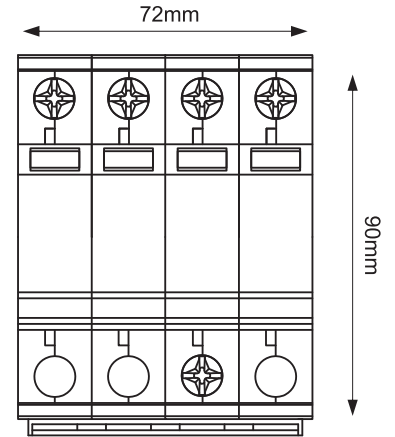


Leading Importer of High-Quality SPD Switches in Rajkot Since 11 years

For over a decade, Winsurge Impex Pvt. Ltd. has been a trusted name in the electrical industry. As a leading Importer of high-quality SPD switches, we are dedicated to protecting your valuable electrical equipment from damaging power surges. Our products are designed to safeguard your home, business or industrial facility from the harmful effects of lightning strikes and other electrical disturbances.

With a strong commitment to quality and innovation, we offer a wide range of SPD solutions to meet your specific solution needs. Our experienced team of engineers and technicians ensures that our products are imported to the highest standards, providing reliable and effective protection for electrical systems.

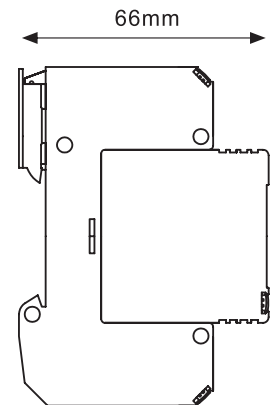
320V AC 3+1 Pole - Type 2 SPD



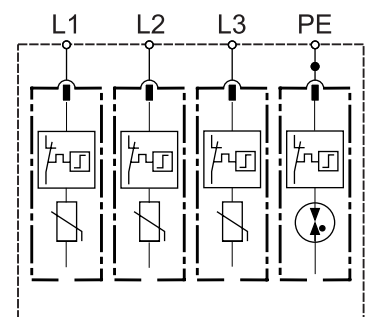
Product Dimension

SPD Product Specifications

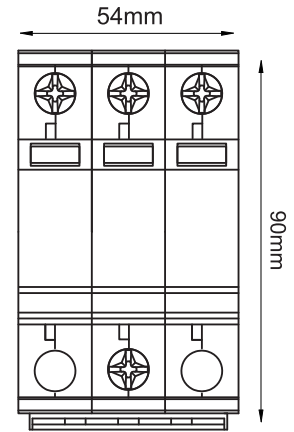
| TECHNICAL PARAMETERS | SPECIFICA |
|--|-----------------------|
| SPD Type only | |
| SPD Classification According to IEC61643-11 | Class II |
| Nominal Voltage (U _n) | 230 / 415 V AC |
| Max. Continuous Operating Voltage (U _c) | 320V AC |
| Max. Continuous Operating Voltage [N-PE] (U _c) | 255V AC |
| Nominal Discharge Current (I _n) | 20kA |
| Max. Discharge Current (I _{max}) | 40kA |
| Voltage Protection Level (U _p) | ≤ 1.6 kv |
| Voltage Protection Level [N-PE] (U _p) | ≤ 1.5kV |
| Response Time (t _a) | ≤ 25ns |
| Response Time [N-PE] (t _a) | ≤ 100ns |
| Operating Temperature Range (T _u) | -40°C to +70 |
| Operating State / Fault Indication | Green / Red |
| Cross-Section Area (M _{in}) | 4mm ² |
| Cross-Section Area (M _{ax}) | 35mm ² |
| Mounting | 35mm Din r |
| Enclosure Material | Thermoplastic UL94-V0 |
| Degree of Protection | IP20 |
| Remote Signaling | Optional |



Product Dimension



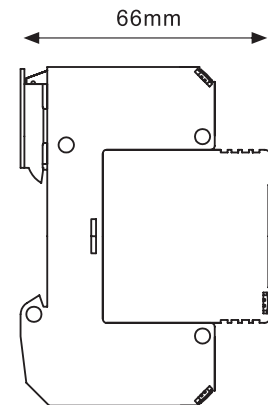
320V AC 2+1 Pole - Type 2 SPD



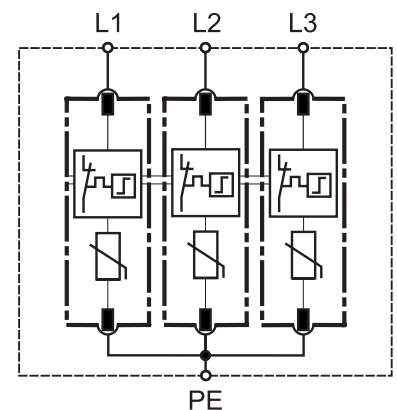
Product Dimension

SPD Product Specifications

| TECHNICAL PARAMETERS | SPECIFICATIONS |
|---|-----------------------|
| SPD Type only | |
| SPD Classification According to IEC61643-11 | Class II |
| Nominal Voltage (Un) | 230 / 415 V AC |
| Max. Continuous Operating Voltage (Uc) | 385v |
| Nominal Discharge Current (In) | 20kA |
| Max. Discharge Current (Imax) | 40kA |
| Voltage Protection Level (Up) | ≤ 1.8 kv |
| Response Time (ta) | ≤ 25ns |
| Operating Temperature Range (Tu) | -40°C to +70°C |
| Operating State / Fault Indication | Green / Red |
| Cross-Section Area (Min) | 4mm ² |
| Cross-Section Area (Max) | 35mm ² |
| Mounting | 35mm Din rail |
| Enclosure Material | Thermoplastic UL94-V0 |
| Degree of Protection | IP20 |
| Remote Signaling | Optional |

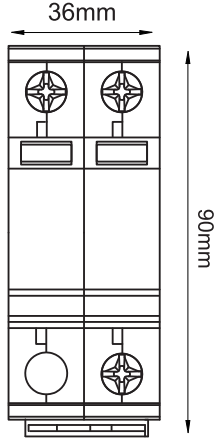


Product Dimension



Connection Diagram

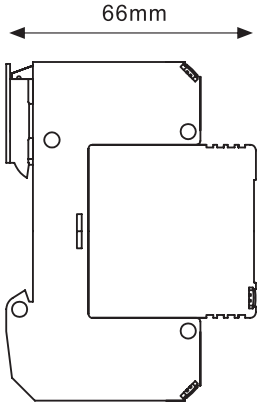
320V AC 1+1 Pole - Type 2 SPD



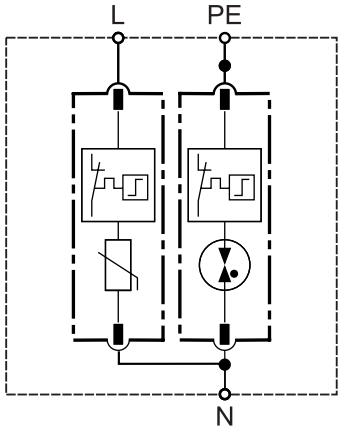
Product Dimension

SPD Product Specifications

| TECHNICAL PARAMETERS | SPECIFICATIONS |
|---|-----------------------|
| SPD Type only | |
| SPD Classification According to IEC61643-11 | Class II |
| Nominal Voltage (Un) | 230 / 415 V AC |
| Max. Continuous Operating Voltage (Uc) | 320V AC |
| Max. Continuous Operating Voltage [N-PE] (Uc) | 255V AC |
| Nominal Discharge Current (In) | 20kA |
| Max. Discharge Current (Imax) | 40kA |
| Voltage Protection Level (Up) | ≤ 1.6 kv |
| Voltage Protection Level [N-PE] (Up) | ≤ 1.5kV |
| Response Time (ta) | ≤ 25ns |
| Response Time [N-PE] (ta) | ≤ 100ns |
| Operating Temperature Range (Tu) | -40°C to +70°C |
| Operating State / Fault Indication | Green / Red |
| Cross-Section Area (Min) | 4mm ² |
| Cross-Section Area (Max) | 35mm ² |
| Mounting | 35mm Din rail |
| Enclosure Material | Thermoplastic UL94-V0 |
| Degree of Protection | IP20 |
| Remote Signaling | Optional |

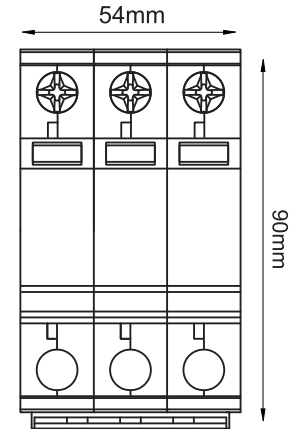


Product Dimension

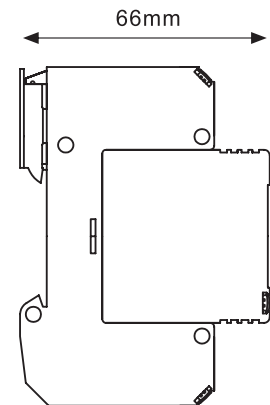


Connection Diagram

1000V DC 1+1 Pole - Type 2 SPD



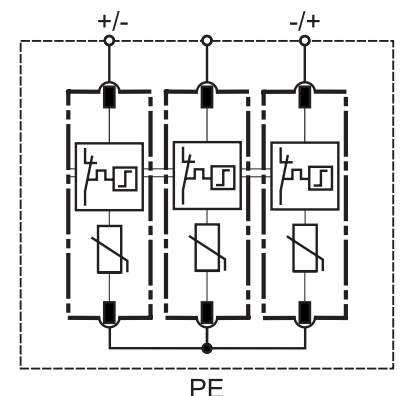
Product Dimension



Product Dimension

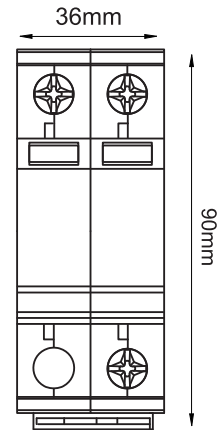
SPD Product Specifications

| TECHNICAL PARAMETERS | SPECIFICATIONS |
|---|----------------------------------|
| SPD Type | |
| SPD Classification According to IEC61643-31 | Class II |
| Max. Continuous Operating Voltage (U_{cpv}) | 1000V DC |
| Nominal Discharge Current (I_n) | 20kA |
| Max. Discharge Current (I_{max}) | 40kA |
| Voltage Protection Level (U_p) | $\leq 4.0kV$ |
| Response Time (t_a) | $\leq 25ns$ |
| Operating Temperature Range (T_u) | $-40^{\circ}C$ to $+70^{\circ}C$ |
| Degree of Protection | IP20 |
| Cross-Section Area (Min) | $4mm^2$ |
| Cross-Section Area (Max) | $25mm^2$ |
| Remote Signalling Contact | Optional |
| Enclosure Material | Thermoplastic UL94-V0 |
| Short Circuit Current Rating (I_{scpv}) | 1000A |
| Mounting | 35mm Din rail |
| Operating State / Fault Indication | Green / Red |
| Remote Signaling | Optional |

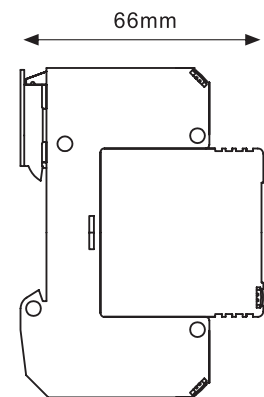


Connection Diagram

600V DC 1+1 Pole - Type 2 SPD



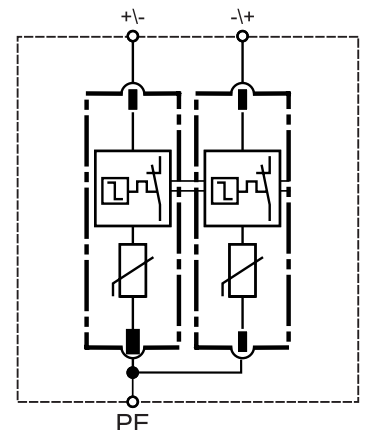
Product Dimension



Product Dimension

SPD Product Specifications

| TECHNICAL PARAMETERS | SPECIFICATIONS |
|---|----------------------------------|
| SPD Type | |
| SPD Type | Class II |
| Max. Continuous Operating Voltage (U_{cpv}) | 600V DC |
| Nominal Discharge Current (I_n) | 20kA |
| Max. Discharge Current (I_{max}) | 40kA |
| Voltage Protection Level (U_p) | $\leq 2.8kV$ |
| Response Time (t_A) | $\leq 25ns$ |
| Operating Temperature Range (T_u) | $-40^{\circ}C$ to $+70^{\circ}C$ |
| Degree of Protection | IP20 |
| Cross-Section Area (Min) | $4mm^2$ |
| Cross-Section Area (Max) | $25mm^2$ |
| Remote Signalling Contact | Optional |
| Enclosure Material | Thermoplastic UL94-V0 |
| Short Circuit Current Rating (I_{scpv}) | 1000A |
| Mounting | 35mm Din rail |
| Operating state / fault indication | Green / Red |
| Remote Signaling | Optional |



Connection Diagram